

FARMALL JX SERIES TRACTORS

CASE IH
AGRICULTURE



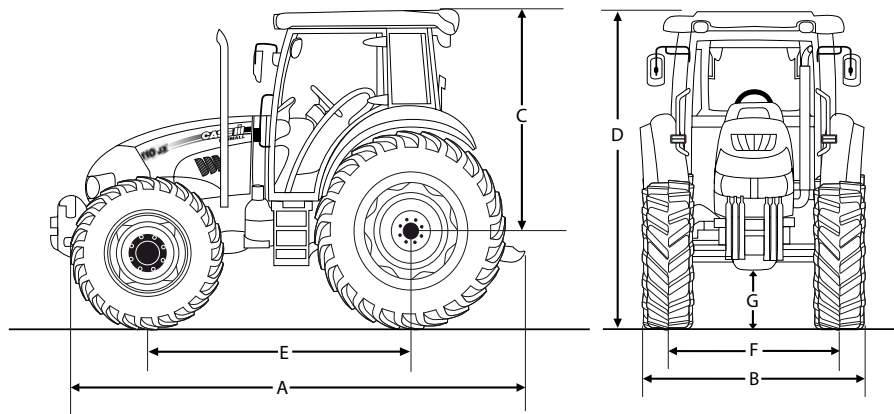
MODELS	FARMALL 70 JX	FARMALL 75 JX	FARMALL 80 JX	FARMALL 90 JX	FARMALL 100 JX	FARMALL 110 JX
ENGINE	S8000	S8000	S8000	S8000	S8000	S8000
No. of cylinders / aspiration / valves	3 / TI / 2	4 / TI / 2	3 / TI / 2	4 / TI / 2	4 / TI / 2	4 / TI / 2
Emission level	Tier 3	Tier 3	Tier 3	Tier 3	Tier 3	Tier 3
Capacity (cm ³)	2930	3908	2930	3908	3908	3908
Rated horsepower - ISO TR14396 - ECE R120 (kW/hp)	49/65	56/75	60/80	66/88	73/98	81/110
Rated engine speed (rpm)	2300	2300	2500	2500	2300	2300
Max. torque - ISO TR14396 (Nm)	261@1400	298@1400	320@1400	356@1400	390@1400	430@1400
Fuel tank capacity (l)	110	110	110	110	110	110
12x4 Synchro Command™ transmission (30 kph)	●	●	●	–	–	–
Minimum speed (kph)	1.84	1.82	1.82	–	–	–
12x12 Synchro Shuttle™ transmission (30 kph)	○	○	○	●	●	●
Minimum speed (kph)	1.84	1.82	1.82	1.76	1.86	1.79
12x12 Hydraulic Powershuttle transmission (30 kph)	–	–	○	○	○	○
Minimum speed (kph)	–	1.82	–	1.82	1.86	1.79
20x12 Synchro Shuttle™ transmission [Optional Creeper (30 kph)]	○	○	○	○	–	–
Minimum speed with Creeper (kph)	0.33	0.33	0.33	0.32	0.34	0.32
AXLES						
2WD front axle	○	○	○	○	○	–
4WD front axle	●	●	●	●	●	●
Steering angle 2WD/4WD (°)	55/40	55/40	55/40	55/40	55/40	55/40
HYDRAULICS						
Main pump flow (l/min)	40.1	40.1	40.1	40.1	40.1	40.1
MegaFlow™ pump flow (l/min)	51.7	51.7	51.7	51.7	51.7	51.7
Steering and services pump flow (Mechanical shuttle / Hydraulic Shuttle) (l/min)	29	29	28	28	28	28
Fast Raise / Lower system	●	●	●	●	●	●
Mechanical Draft Control (MDC)	●	●	●	●	●	●
REMOTE VALVES						
Max. no. rear valves	3	3	3	3	3	3
Max. no. mid mount valves	2	2	2	2	2	2
Mid mount joystick control	○	○	○	○	○	○
LINKAGE						
Max. lift capacity at ball ends (kg)	3000	3565	3565	4700 **	4700 **	4700 **
Max. lift capacity through the range (610 mm behind ball ends) (kg)	2260	2700	2700	3450	3450	3450
Front Loader Ready	–	○	–	○	○	○
Loader Factory Fitted*	–	○	–	○	○	○
PTO						
Ground speed	●	●	●	●	●	●
540	●	●	●	●	●	●
540 / 540E	○	○	○	○	○	○
540 / 1000	○	○	○	○	○	○

* Include complete loader with choice between standard or self leveling. 2x mid mount valves with rapid coupler. Loader Joystick Integrated in RH operator Console.

** available as an optional feature

MODELS	FARMALL 70 JX	FARMALL 75 JX	FARMALL 80 JX	FARMALL 90 JX	FARMALL 100 JX	FARMALL 110 JX
OPERATOR ENVIRONMENT						
Platform with foldable ROPS	●	●	●	●	●	●
VisionView™ cab	○	○	○	○	○	○
High visibility roof panel (mandatory with Loader)	○	○	○	○	○	○
Standard air suspension seat with seat belt	○	○	○	○	○	○
Instructor seat with seat belt	○	○	○	○	○	○
Tiltable steering column	○	○	○	○	○	○
Air conditioning	○	○	○	○	○	○
Radio Ready	○	○	○	○	○	○
MP3 Radio (with aux input socket)	○	○	○	○	○	○

● Standard ○ Optional - Not available *) Developed by FPT Industrial



MODELS	FARMALL 70 JX	FARMALL 75 JX	FARMALL 80 JX	FARMALL 90 JX	FARMALL 100 JX	FARMALL 110 JX
Dimensions on rear tyres**	16.9R30	16.9R30	16.9R34	18.4R34	16.9R38	16.9R38
A Overall length inc. front support to rear linkage 2WD/4WD (mm)	3729/3820	3923/3998	3808/3883	3941/4044	3991/4115	-/4115
B Min. width with standard fender (mm)	1910	1910	1910	1910	1910	1910
C Height from rear axle to top of the cab (mm)	2556	2556	2600	2667	2680	2680
D Min. overall height cab/ROPS (mm)	2583/2698	2604/2719	2604/2719	2604/2719	2631/2746	2657/2772
E Ground clearance:						
under front axle minimum (2WD/4WD) (mm)	523/402	563/425	563/425	563/425	573/465	573/465
under rear drawbar/ hitch minimum (mm)	420	450	450	450	470	500
F Track width (min./max.) (mm)	1500/2000	1500/2000	1500/2000	1500/2000	1600/2000	1600/2000
G Wheel Base 2WD/4WD (mm)	2274/2224	2468/2402	2353/2287	2468/2402	2488/2422	-/2422
Min. weight ROPS 2WD/4WD (kg)	2650/2950	3000/3450	2900/3100	3000/3450	3250/3650	-/3650
Min. weight CAB 2WD/4WD (kg)	2900/3200	3300/3600	3100/3400	3300/3700	3500/3900	-/3900

** Rear Tyres other than those mentioned are available: 480/70R30, 420/70R30, 16.9 R30, 18.4R30, 480/70R34, 12.4R36, 16.9 R34, 18.4 R34, 13.6R36, 13.6R38, 16.9 R38

⚠ SAFETY NEVER HURTS!™ Always read the Operator's Manual before operating any equipment. Inspect equipment before using it, and be sure it is operating properly. Follow the product safety signs, and use any safety features provided. This literature has been published for worldwide circulation. The standard and optional equipment and the availability of individual models may vary from one country to the next. Case IH reserves the right to undertake modifications without prior notice to the design and technical equipment at all times without this resulting in any obligation whatsoever to make such modifications to units already sold. Whilst every effort is made to ensure that the specifications, descriptions and illustrations in this brochure are correct at the time of going to press, these are also subject to change without prior notice. Illustrations may show optional equipment or may not show all standard equipment. Case IH recommends **AKCELA™** lubricants.

Case IH EMEA Brand Communications - Steyrer Strasse 32, 4300, Sankt Valentin, Austria - © 2014 CASE IH - Visit our website: www.caseih.com
Send us an e-mail: Africa.MaxService@caseih.com - MiddleEast.MaxService@caseih.com - Farmall_JX_English - Cod. N. MEA14C0003

